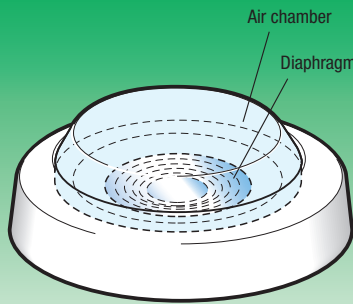


# What is Rate of Rise Heat Detector?



DSC-RL-A



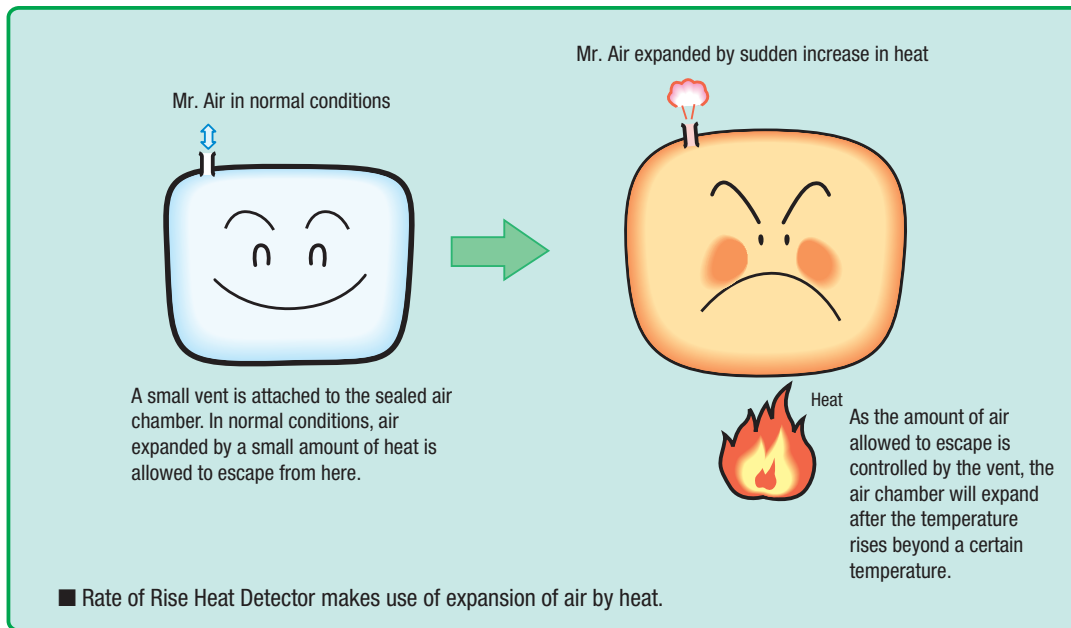
## This is the detector.

It is a detector that triggers the fire alarm when the rate of temperature increase in the surroundings rises above a certain rate. The air in the air chamber will expand and close the contact.

## Suitable for these places.

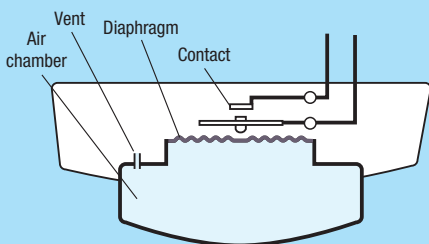
- 1 In places where large amounts of exhaust gases gather like interior car parks and automobile workshops.
- 2 In places where large amounts of smoke enters like offices, rest areas, holding rooms and seating areas in cafés and bars.

## Mechanism of Rate of Rise Heat Detector



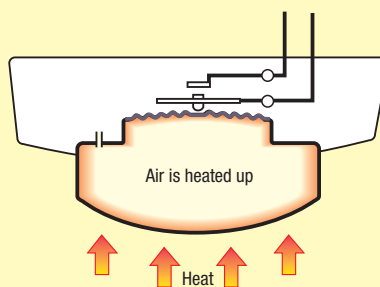
## Normal conditions

In normal conditions, air expanded by a small amount of heat is allowed to escape from the vent.



## During fire 1

Heated up suddenly in a fire.



## During fire 2

After a certain rise in temperature, the expanded air will push the diaphragm up and close the contact, sending a signal.

